

7-100 Quarter-Turn with L-Handle Pr20.1 L18

Hand operable, IP65, Stainless Steel, Padlockable, Optional pre-assembly

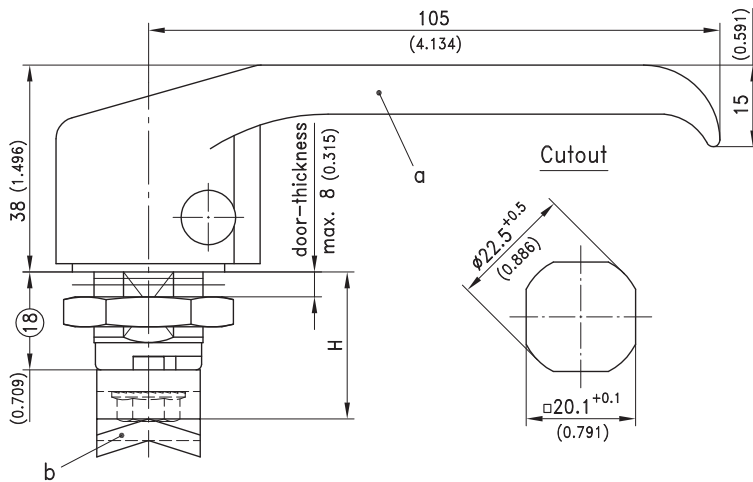


Product Notes:

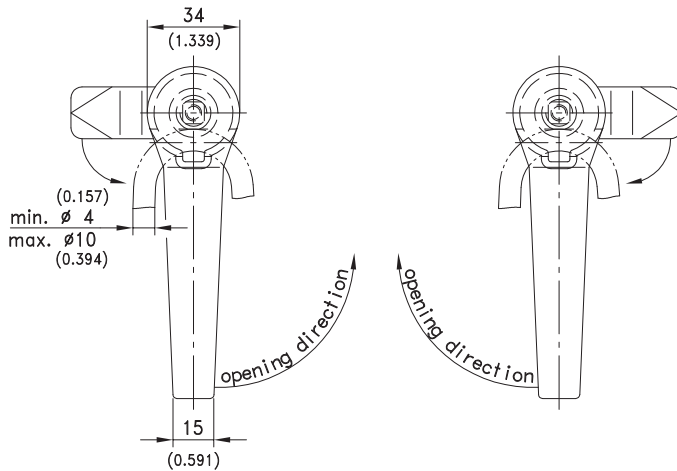
- RH and LH application
- Water and dust tight according to IP65, DIN EN 60529
- Quarter-Turn consists of two components which are combined to fit application
- Components can be pre-assembled by DIRAK upon request
- Pre-assembled Quarter-Turn can be installed in cutout
- **Padlock feature only if cam is at 90° to the L-handle**
- Zinc die - see Product System 1-154

Material:

- **L-handle:** Stainless Steel AISI 316, Surface Polished
- **Nut and cam:** Stainless Steel



Installed position of the housing, seen from outside of the door, at



	Part No.	See Page
a) Quarter-turn with L-handle with plain/grounding nut	200-9481	
b) Cams		01.24, 01.101, 01.102, 03.42
Optional:		
c) Assembling cam 90° to handle without O-ring	200-0019	
Assembling cam for left door	200-0020	